

CLIENT:  
**IBA** Institute of  
 Business Administration  
 Karachi  
 Leadership and Ideas for Tomorrow

PROJECT:

DRAWING TITLE:

DRAWING NO:

BY:

PROJECT NO:

JOB # :

APPROVED BY:

DATE:  
11-Nov-2025

DRAWING NO:  
IBA-FB-G12-01

SCALE:  
N.T.S.

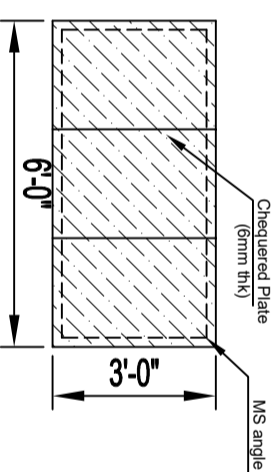
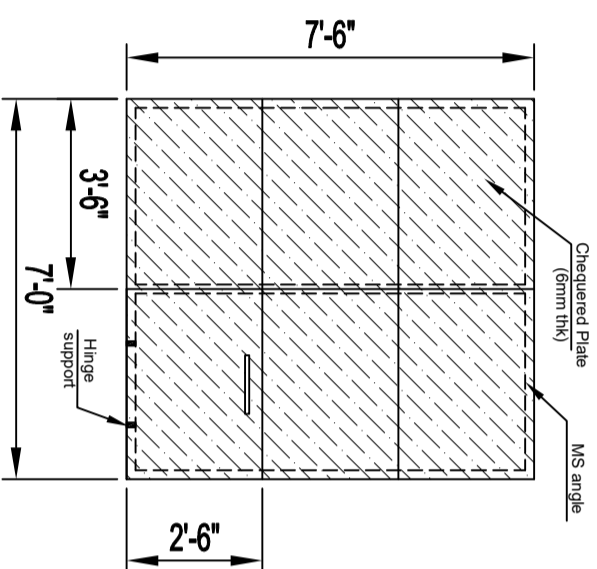
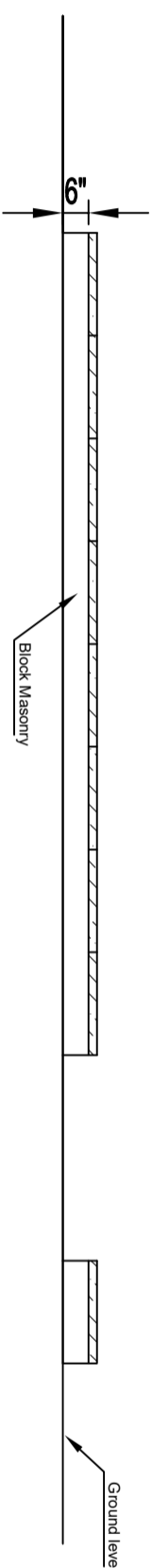
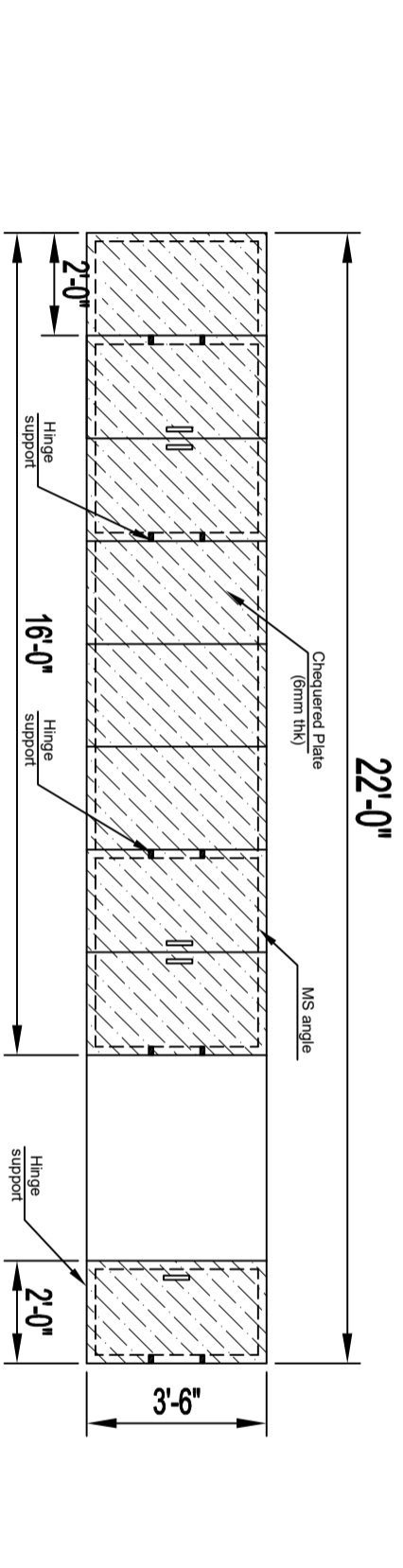
SCALE:  
N.T.S.

P. ARCHITECT:

CHECKED BY:

DRAWN BY:  
SYED FARAZ

ARCHITECT :



# Chequered Plate