

***Tender Fee: Rs.2,000/-
(Non-Refundable)***

TENDER FORM

Tender # FUR/02/23-24

Incubation Office Furniture for CED

Date of Issue : January 29, 2024, 2023
Last Date of Submission : February 14, 2024 (3:00 pm)
Date of Opening : February 14, 2024 (3:30 pm)

Company Name: _____

NTN: _____

SRB / GST Registration Number: _____

Pay Order / Demand Draft # _____, Drawn on Bank _____

Amount of Rs. _____, Dated: _____

Notice Invitation Tender (NIT)**TENDER NOTICE**

The Institute of Business Administration, Karachi (IBA) invites sealed bids from active taxpayers of manufacture / firm / companies / supplier registered with relevant tax authorities for the following tender.

Tender Title (Ref. No.)	Procedure	Bid Security
Incubation Office Furniture for CED (FUR/02/23-24)	Single Stage One Envelope	2%
Tender Fee & Dates		
Fee: Rs.2,000/-		
Issuance start date: January 29, 2024 at 9 AM		
Issuance end date & time: February 14, 2024 at 3 PM		
Submission date & time: January 29, 2024 to February 14, 2024 from 9 AM to 3 PM		
Opening date & time: February 14, 2024 at 3:30 PM		

Tender Document may be collected after submission of paid fee challan from the Office of **Head of Procurement, Fauji Foundation Building, IBA Main Campus, University Enclave, Karachi** on any working day (Monday to Friday). Alternatively, the tender document can be downloaded from the website. The Tender fee challan is to be generated from the IBA website <https://www.iba.edu.pk/tenders/> which may be deposited in any branch of Meezan Bank Ltd. Sealed bids should be dropped in Tender Box placed at the Security Office, Gate # 4, IBA Main Campus University Enclave Karachi and will be opened on same date & venue in the presence of the bidders representatives who may wish to attend. In case of holiday the tender shall be opened / received on the next working day at same place and time. Bid Security in the form of Pay Order or Demand Draft has to be submitted in favour of “**IBA Karachi**” along with the Financial Proposal.

Kindly mention “Tender Number” at top right corner of the envelope.

N.B. IBA Karachi reserves the right to reject any bid or cancel the bidding process subject to relevant provision of SPP Rules 2010.

REGISTRAR

IBA, Main Campus, Univeristy Enclave, Karachi 75270

111-422-422 Fax (92-21) 99261508

Contact Person Sr. Executive Purchase on 38104700 ext: 2150

Email tenders@iba.edu.pk

Website <https://www.iba.edu.pk/tenders/>

SPPRA Website: <https://ppms.pprasindh.gov.pk/PPMS/public/portal/notice-inviting-tender>

CONTENTS

1. Introduction.....	Page 4
2. Instructions.....	Page 5
3. Bill of Quantity.....	Page 6
4. Drawing.....	Page 8
5. Bidding Data	Page 14
6. Bidder Qualification Criteria.....	Page 15
7. Terms & Conditions.....	Page 16
8. Integrity Pact.....	Page 18

1. Introduction

Dear Tenderer:

Thank you the interest you have shown in response to the IBA's advertisement which has floated in IBA & SSPRA websites on January 29, 2024 to "Incubation Office Furniture for CED".

The Institute of Business Administration, Karachi (IBA) is the oldest business school outside North America. It was established in 1955 with initial technical support provided by the Wharton School of Finance, University of Pennsylvania. Later, the University of Southern California (USC) set up various facilities at the IBA & several prominent American professors were assigned to the IBA. The course contents, the curriculum, the pedagogical tools & the assessment & testing methods were developed under the guidance of reputed scholars from these two institutions. IBA has zealously guarded the high standards & academic traditions it had inherited from Wharton & USC while adapting and adjusting them with the passage of time.

We expect to avail services/works/items of high standards meet our prime & basic specifications through this transaction.

Please contact Head of Procurement on 38104700 ext: 2150 for any information and query

Thank you.

-sd-



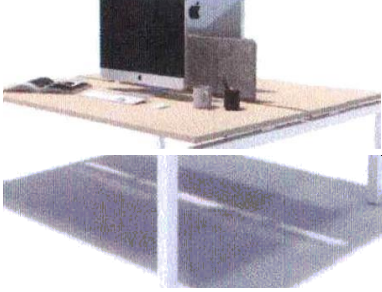
Registrar

2. Instructions

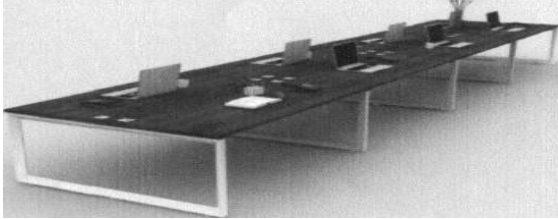

- (a) The Institute of Business Administration, Karachi (IBA) expects that aspirant manufacturers / firms / supplier / companies / distributors / dealers should furnish all the required documents to ensure a transparent and genuine presentation. Therefore, it is necessary to fill in the Tender Form meticulously and sign & stamp each and every page. Moreover, attach required supporting document according to the requirement.
- (b) It is of utmost important to fill in the Tender Form in writing in ink or type. Do not leave any column/item blank. If you want to leave the item/column un-answered please, write 'Doesn't Apply/Doesn't Arise'. If you need more space please attach a paper & clearly mention item/column name or number etc that referred the column/item of the Tender Form.
- (a) You can collect the Tender Document from the office of Head of Procurement, Ground Floor, Fauji Foundation IBA Main Campus, University Enclave, Karachi from January 29, 2024 to February 14, 2024 during working 9:00am to 3pm.
- (b) The last date of submit the Tender Document in sealed envelope in February 14, 2024 by 3pm in the Office of the Security Office, Fauji Foundation IBA Main Campus, University Enclave, Karachi. The Tender will be opened on same day at 3:30pm in the presence of representatives who may care to attend.
- (c) Bid Security of 2% of total charges will be submitted along with Tender Documents in shape of PAY ORDER / DEMAND DRAFT only in the name of Institute of Business Administration.
- (d) Successful bidder should provide 5% Performance Security of total value of Purchase Order / Work Order in the form of Pay Order or bank guarantee before submission of invoice. The Performance Security shall extend at least three months beyond the Date of Delivery/Completion of work / Contract.
- (e) Please mention "Tender Number" at top right corner of the envelopes. IBA, Karachi may reject any bid subject to relevant provision of SPP Rules 2010 any may cancel the bidding Process at any time prior to acceptance of bid or proposal as per Rule-25(i) of said rules.

Stamp & Signature

3. BILL OF QUANTITY

S. #	Items	Qty	Unit	Rate	Amount
1	<p>Workstation for Mini bar</p> <p>Providing and Installation of Meeting Room Tables. Size: 98"L x 35"D x 41" H (inches) Teak laminated MFC top with fabricscreen, black powder coated base and with complete cable management</p> 	02	each		
2	<p>Workstation for 4 persons</p> <p>Providing and Installation of Workstation for 4 persons. Size: W 96" x D 48" x H 30" Top in laminated white finish with fabric screen Drawer unit and cable management noincluded</p> 	05	each		
3	<p>Workstation for 2 persons</p> <p>Providing and Installation of Workstation for 2 persons. Sizes: W 48" x D 48" x H 30" Top in laminated white finish with fabric screen Drawer unit and cable management noincluded</p> 	07	each		

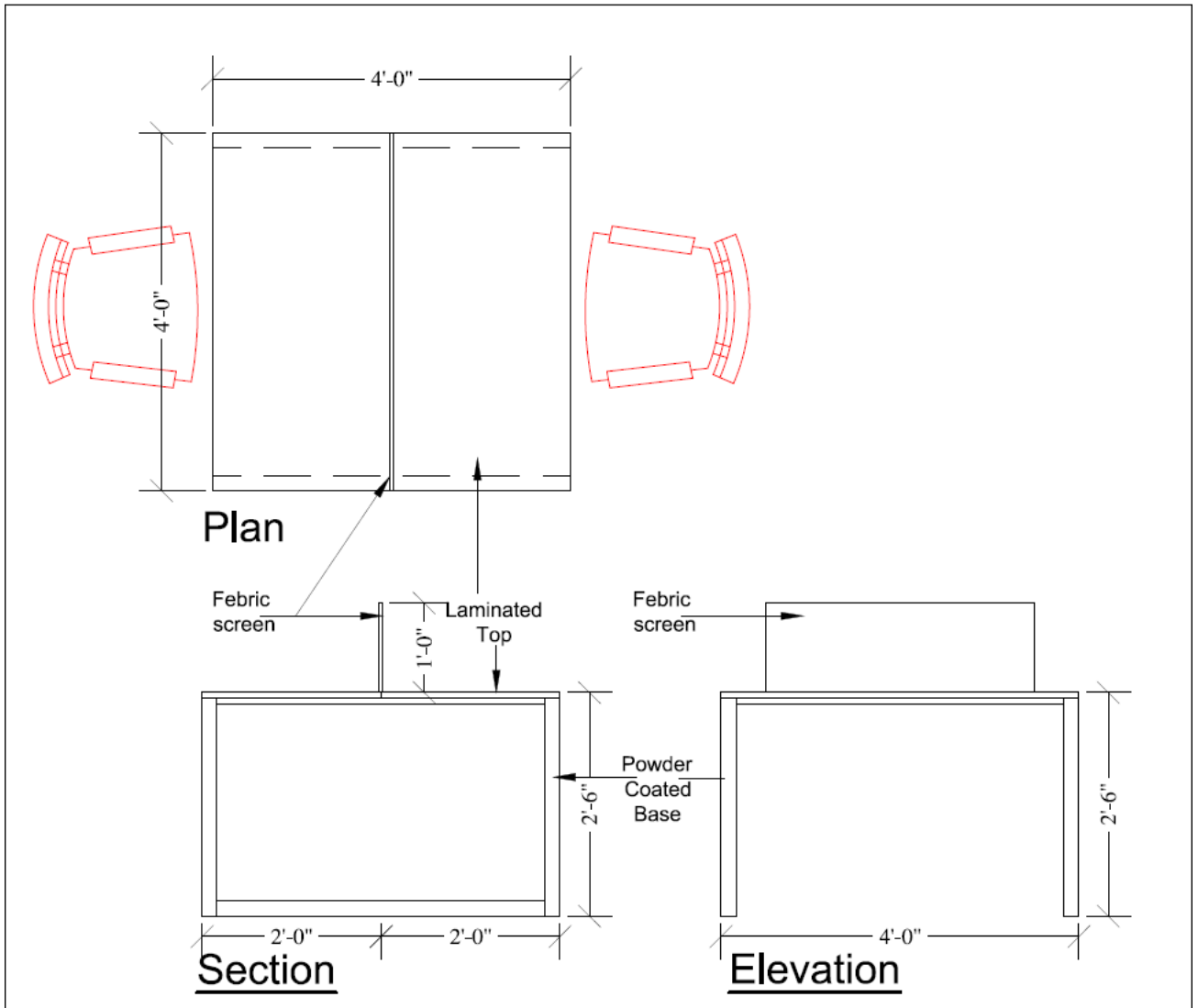
Stamp & Signature

4	<p>Workstation for 10 persons</p> <p>Providing and Installation of Workstation for 10 persons & Screens.</p> 	02	each		
5	<p>Office Chair</p> <p>Providing of Medium height Chairs Material: Padded Back and SeatBase: Nylon Arms: Polyurethane</p> 	60	each		
Total					
GST					
Grand Total Amount					

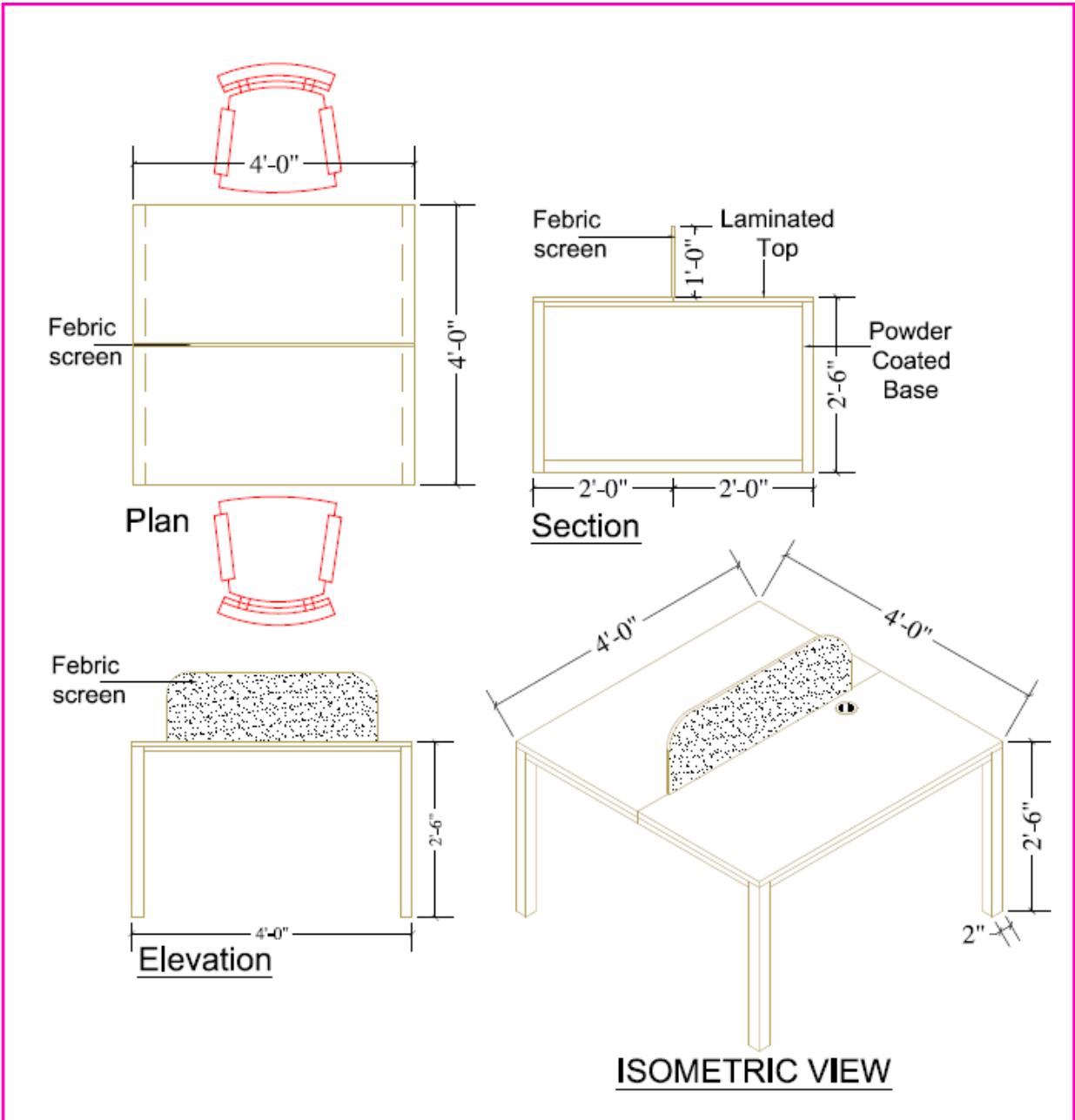
Grand Total Amount Rupees (in words) _____

Stamp & Signature

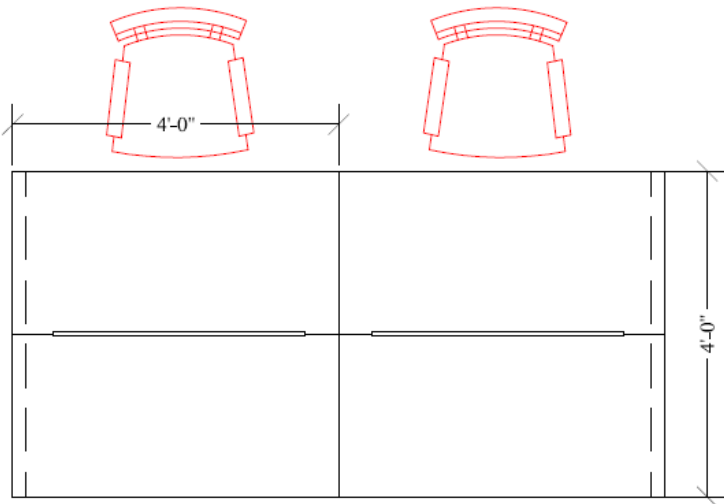
4. DRAWING



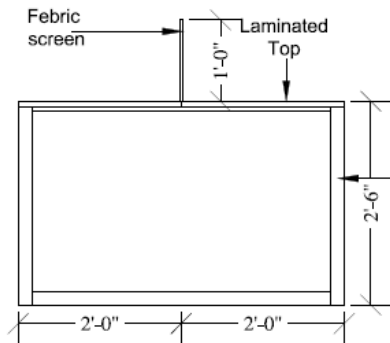
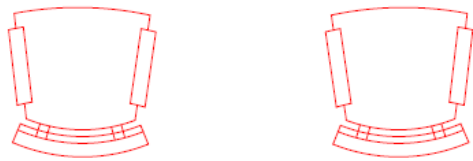
Stamp & Signature



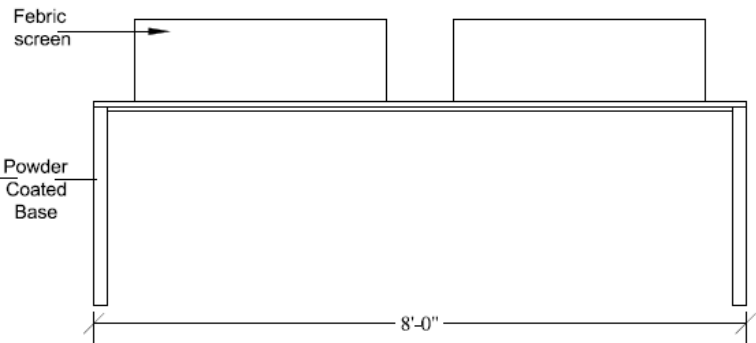
Stamp & Signature



Plan

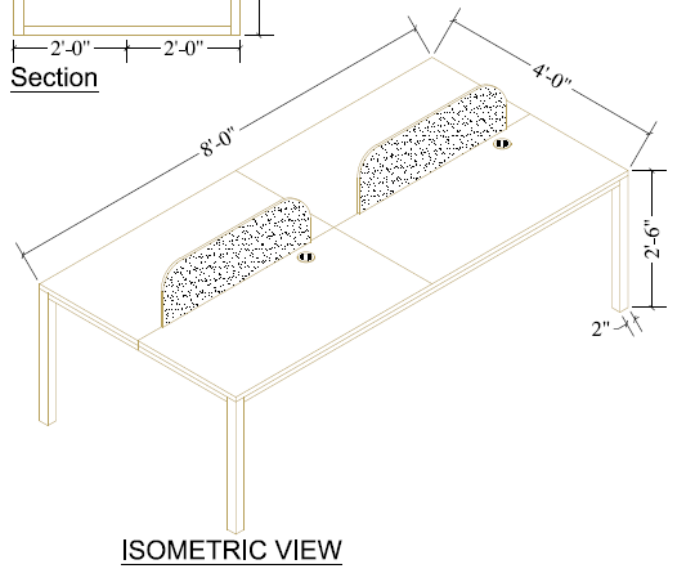
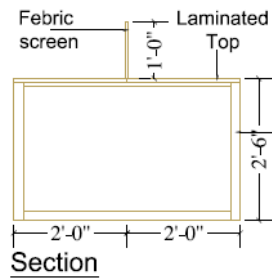
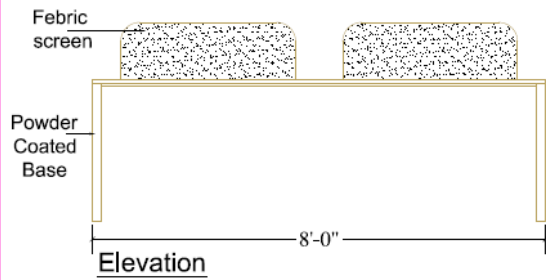
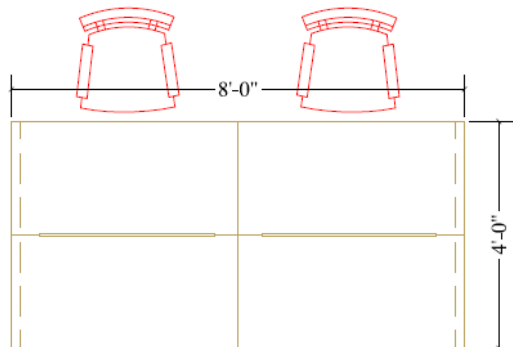


Section

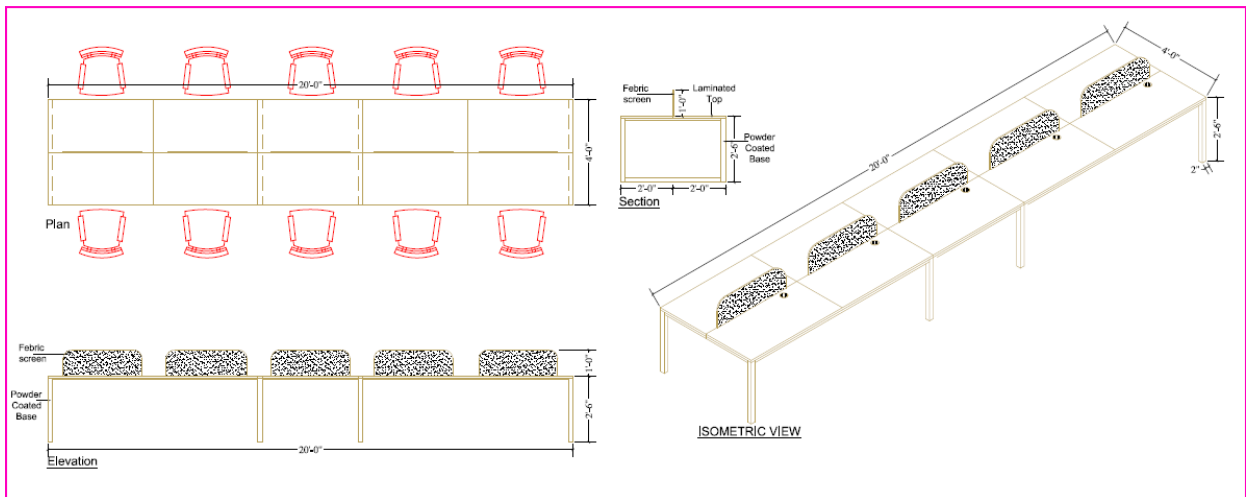
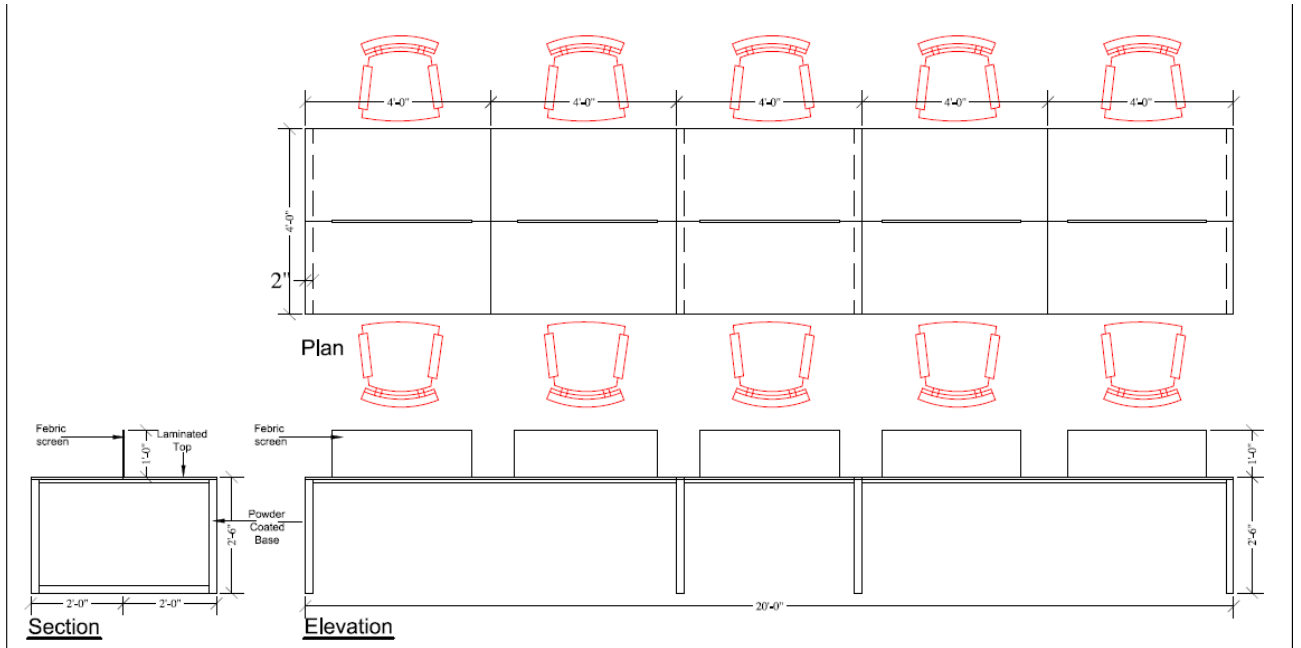


Elevation

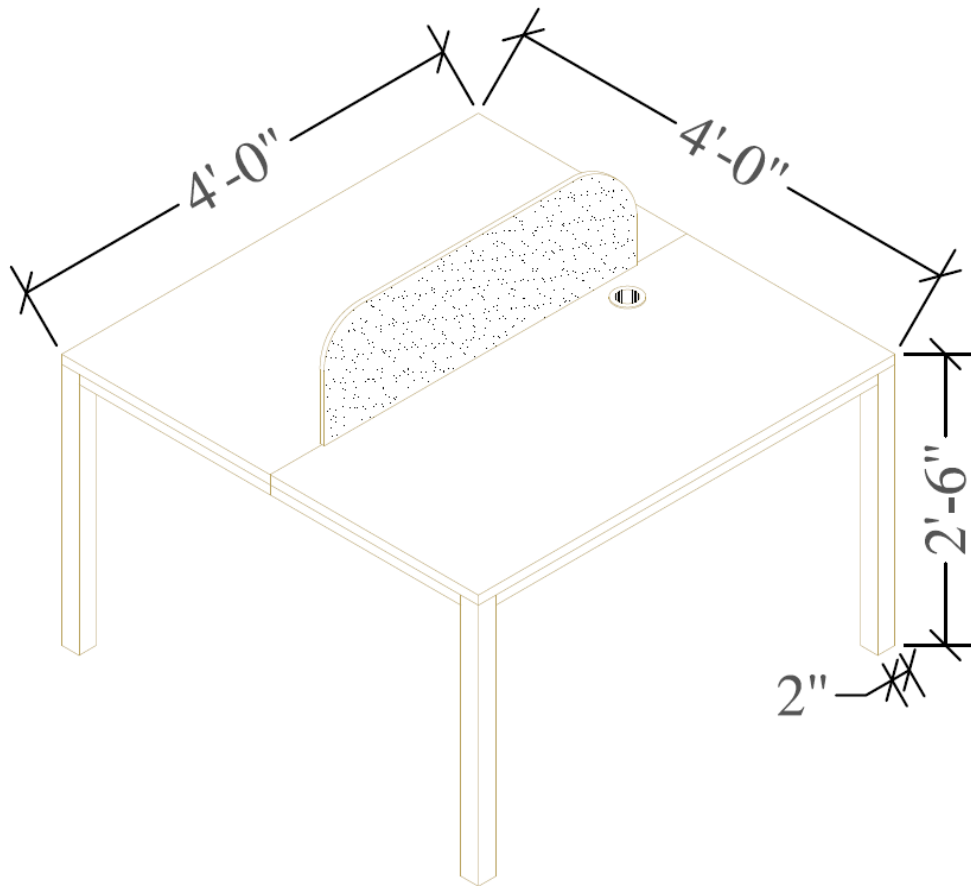
Stamp & Signature



Stamp & Signature



Stamp & Signature



ISOMETRIC VIEW

Stamp & Signature

5. BIDDING DATA

Name of Procuring Agency: Institute of Business Administration, Karachi

(a) Brief Description of Works: Incubation Office Furniture for CED

(b) Procuring Agency's address:-Main Campus, University Road, Karachi

(c) Amount of Bid Security:- Bid Security of 2% of total amount/cost will be submitted along with Tender Documents in shape of PAY ORDER / DEMAND DRAFT only in the name of Institute of Business Administration, Karachi

(d) Period of Bid Validity (days):- Ninety Days

(e) Performance Security Deposit: Successful bidder should provide 5% Performance Security of total value of Work Order in the form of Pay Order or bank guarantee before submission of invoice. The Performance Security shall extend at least three months beyond the Date of Delivery/Completion of work / Contract.

(f) Deadline for Submission of Bids along with time :- The last date of submit the Tender Document in sealed envelope in February 14, 2024 by 3pm in the Office of the Security Office, Gate # 4, IBA Main Campus, University Road, Karachi. The Tender will be opened on same day at 3:30 PM in the presence of representatives who may care to attend.

(g) Venue, Time, and Date of Bid Opening:- Tender will be opened on February 14, 2024 on 3:30 PM at IBA Main Campus, University Road, Karachi.

(h) Time for Completion from written order of commence:- 30 days

(i) Liquidated damages:- 2% liquidated damages of the total amount will be imposed per per for which the contractor failed to complete work within the execution period.

(j) Deposit Receipt No: Date: Amount:(in words and figures) Pay Order / Demand Draft

, Amount :Rs.....Drawn on Bank..... Dated.....

Stamp & Signature

6. BIDDER QUALIFICATION CRITERIA

S. No	Mandatory Eligibility Criteria (Attach Supporting Document)	Remarks Yes / No
1	Minimum 3 years of relevant experience during last five years.	
2	Last 3 years' financial statements minimum 5 million (per year) average turn over in terms of financial statement or bank statement.	
3	"Sales tax registration certificate both FBR and / or SRB" and NTN.	

 Stamp & Signature

7. TERMS & CONDITIONS

The following terms of the supply are agreed by the manufacturer / supplier / distributor / firms or companies:

- (i) **Receiving / Acceptance of Purchase/Work Order:** The manufacturers / supplier / distributor will sign the copy of the Purchase/Work Order as acknowledgement.
- (ii) **Delivery Challan:** Copies of Delivery Challan on which the Order number, date of delivery execution, quantity, quality, specs, manufacturer name clearly mentioned. Non-compliance with this condition renders the goods liable to non-acceptance. After seven days, IBA will not be responsible for any claim(s) / responsibility.
- (iii) **Place of Delivery:** Delivery at the mentioned location(s) as specified in the BoQ.
- (iv) **Delayed Delivery:** 2% liquidated damages of the total amount will be imposed per month for which the company/firm/agency failed to deliver within the delivery/execution period and maximum upto 10%.
- (v) **Inspection:** Physical inspection will be carried out by IBA authority. Ordered material is subject to final inspection at the time of delivery.
- (vi) **Quantity Delivered:** Competent Authority reserves the right to change/alter/remove any item or article or reduce/enhance quantity.
- (vii) **Condition of Goods:** All items must meet in all respects with the specs & conditions of the Order and must be in good condition otherwise they will be liable to reject.
- (viii) **Delivery of Goods:** All the items must be delivered to the store of the IBA who will sign the receipt with stamp on delivery note.
- (ix) **Rejection of Goods:** We reserve the right to cancel any or all the items if material is not in accordance with our specification or if the delivery is delayed.
- (x) **Sub-letting:** No sub-letting in any case and form will be acceptable.
- (xi) **Termination:** That upon termination of this agreement the service provider shall be permitted to remove all its devices and equipment which may have been placed at premises from the time to time.
- (xii) **Submission of Invoices:** Invoice / Bill should be submitted to Procurement Department.
- (xiii) **Validity of Bid:** Validity is for ninety (90) days.
- (xiv) **Company Profile:** Company Profile be attached with this document.
- (xv) **Rules, Regulations & Policies:** All rules, regulations and policies will be governed in accordance to the SPPRA & IBA PP&P.
- (xvi) **Price / Rate:** must be quoted on Tender Form only and submitted in sealed envelope.
- (xvii) **General Sales Tax:** Will be paid on applicable items only by the company/firm/agency.

Stamp & Signature

- (xviii) **Bid Security:** 2% Bid Security should be deposited along with the tender form in shape of PAY ORDER / DEMAND DRAFT only in the name of Institute of Business Administration, Karachi.
- (xix) **Arbitration:** In case of any dispute, difference or and question which may at any time arise between the parties hereto or any person under them, arising out in respect of this letter of intent or this subject matter thereof shall be referred to the Registrar of the IBA and CEO of the company / firm / agency for arbitration/settling of the dispute, failing which the decision of the court law in the jurisdiction of Karachi binding to the parties.
- (xx) **Performance Security:** Successful bidder should provide 5% Performance Security of total value of Work Order in the form of Pay Order or bank guarantee before submission of invoice. The Performance Security shall extend at least three months beyond the Date of Delivery/Completion of work / Contract / Warranty, whichever is longest.
- (xxi) **Government tax(es), levi(es) and charges(s):** It will be charged at actual as per SRO.
- (xxii) **Tender Document:** Tender Document available at the Office of Head of Procurement, Ground Floor, Fauji Foundation IBA Main Campus, University Road, Karachi.
- (xxiii) **Discourage Child Labor:** All staff must have CNIC and clearly mentioned to discourage work through child labor.
- (xxiv) **Environmental Friendly Procedure:** Supplier / Manufacturer / Distributor must ensure Environmental Friendly procedure of manufacturing and avoid the use of Toxic material.
- (xxv) **Submission of Tender:** Last date for submission is February 14, 2024 up to 3 PM.
- (xxvi) **Opening of Tender:** Tender will be opened on February 14, 2024 on 3:30 PM at IBA Main Campus, University Road, Karachi.
- (xxvii) **Stamp Duty:** 0.35% against total value of Work Order will be levied accordingly.
- (xxviii) **Currency:** All currency in the proposal shall be quoted in Pakistan Rupees (PKR).
- (xxix) **Active Tax Payer:** Manufacturers / Firms / Supplier / Companies / Distributors shall maintain its status as an active/filer taxpayer with taxation authorities while rendering services to IBA, Karachi.
- (xxx) **Delivery Time:** The items should be delivered within 30 days from the date of acceptance of Purchase Order.
- (xxxi) **Bid Evaluation:** The bid that after meeting the bidder eligibility criteria, is found substantially responsive to the terms and conditions as set out in the bidding documents.
- (xxxii) **Conditional /Optional / Alternate Bids:** Such bids will not be accepted.

Stamp & Signature

8. Integrity Pact

Declaration of Charges, Fees, Commission, Taxes, Levies etc payable by the manufacturer/supplier/distributor works;

M/s _____, the manufacturers / companies / distributor / firm hereby declares that:

- (a) Its intention not to obtain the procurement work of any Contract, right, interest, privilege, or other obligation or benefit from the IBA or any administrative or financial offices thereof or any other department under the control of the IBA through any corrupt practice(s).
- (b) Without limiting the generality of the forgoing the manufacturers / companies / distributor / firm represents and warrants that it has fully declared the charges, fees, commission, taxes, levies etc, paid or payable to anyone and not given or agreed to give and shall not give or agree to give to anyone within the IBA directly or indirectly through any means any commission, gratification, bribe, gifts, kickback whether described as consultation fee or otherwise, with the object of obtaining or including the procurement or service contract or order or other obligations whatsoever from the IBA, except that which has been expressly declared pursuant hereto.
- (c) The manufacturers / companies / distributor / firm accepts full responsibility and strict liability for making any false declaration/statement, not making full disclosure, misrepresenting facts or taking any action likely to degrade the purpose of declaration, representation and warranty. It agrees that any contract/order obtained aforesaid shall without prejudice to any other right & remedies available to the IBA under any law, contract, or other instrument, be stand void at the discretion of the IBA.
- (d) Notwithstanding any right and remedies exercised by the IBA in this regard, manufacturers / companies / distributor / firm agrees to indemnify the IBA for any loss or damage incurred by it on account of its corrupt business practice & further pay compensation to the IBA in any amount equivalent to the loss of any commission, gratification, bribe, gifts, kickback given by the manufacturers / companies / distributor / firm as aforesaid for the purpose of obtaining or inducing procurement/work/service or other obligation or benefit in whatsoever from the IBA.

Note:

This integrity pact is mandatory requirement other than auxiliary services / works.

Stamp & Signature

It is hereby certified that the terms and conditions have been read, agreed upon and signed.

M/s _____

Contact Person: _____

Address _____

Tel # _____ Fax # _____

Mobile # _____ CNIC # _____

E-mail: _____

SIGNATURE & STAMP

Stamp & Signature