

ARCHITECTURAL DRAWINGS  
FOR

**IBA 7th FLOOR**

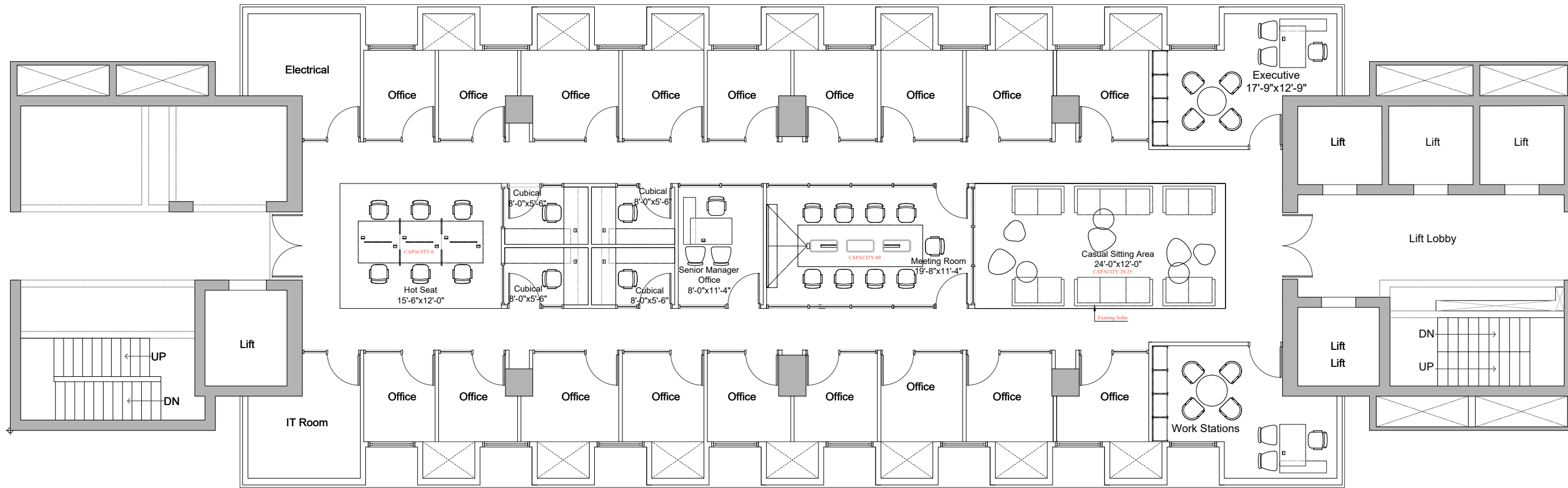
WORKING DRAWINGS

13 - SEPTEMBER - 2024



## General Notes:

- All dimensions are in feet and inches, unless mentioned otherwise please do not scale the drawings, and use the specified dimensions.
- Dimensions are for guidance purpose only and may have slight variations.
- Contractors are requested to verify measurements on site at actual
- Any material or items depicted in 3d renders are subject to market availability.

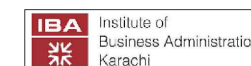
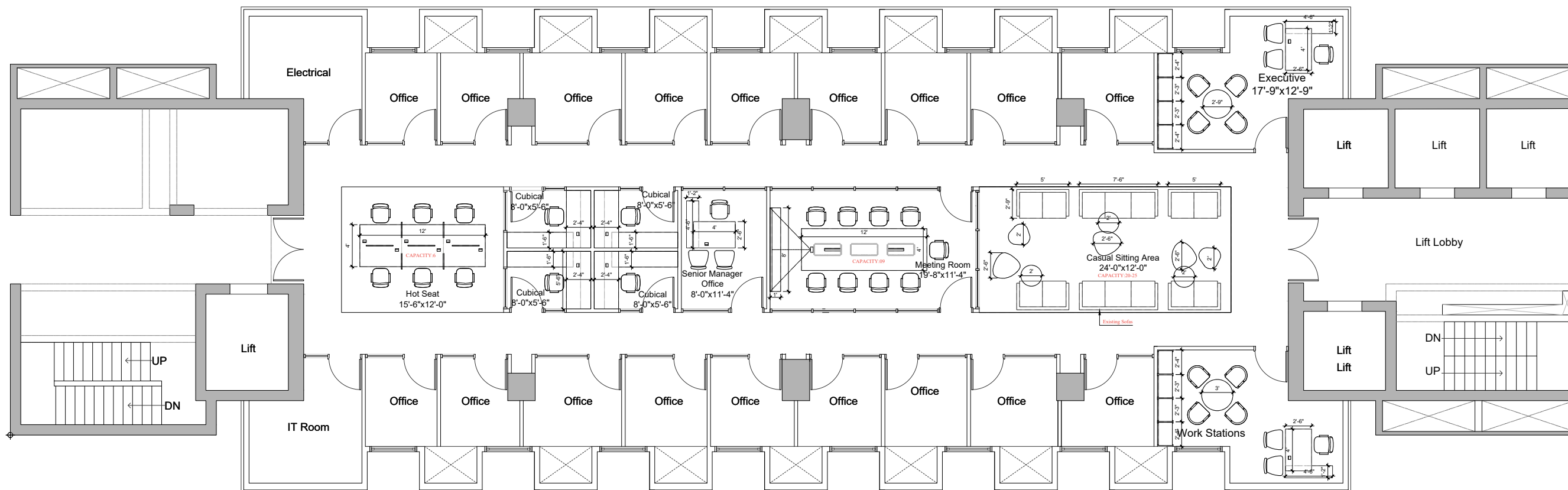


IBA KARACHI - INSTITUTE OF BUSINESS ADMINISTRATION

ISSUE:  
ISSUE FOR CONSTRUCTION

Drawing Title  
FURNITURE LAYOUT PLAN  
7TH FLOOR

Drafted By:- SH  
Scale:- AS SHOWN  
Date:- 10-09-2024  
Project No:- 2024-126  
Sheet Size:- A3  
Drawing No:-

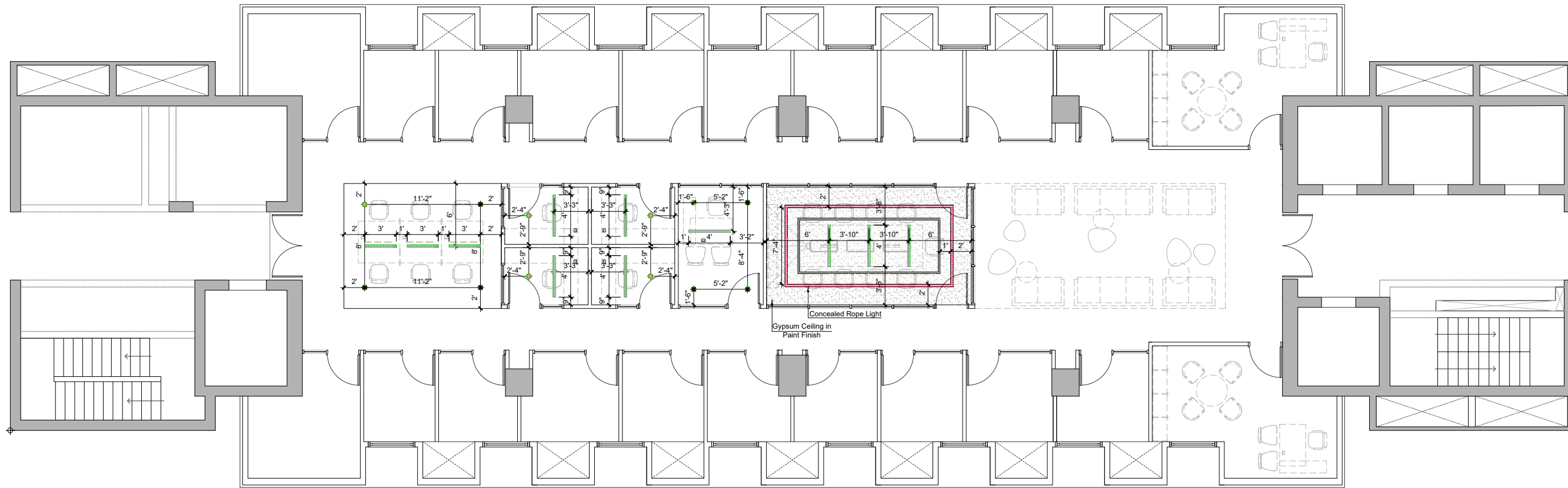


IBA KARACHI - INSTITUTE OF BUSINESS ADMINISTRATION

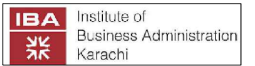
ISSUE:  
ISSUE FOR CONSTRUCTION

Drawing Title  
FURNITURE WORKING PLAN  
7TH FLOOR

Drafted By:- SH  
Scale:- AS SHOWN  
Date:- 10-09-2024  
Project No:- 2024-126  
Sheet Size:- A3  
Drawing No:-



LEGEND	
Symbols	Description
	Suspended Linear Light
	Down Light



**IBA KARACHI - INSTITUTE OF BUSINESS ADMINISTRATION**

**ISSUE:  
ISSUE FOR CONSTRUCTION**

**Drawing Title  
REFLECTED CEILING PLAN  
7TH FLOOR**

**Drafted By:- SH**  
**Scale:- AS SHOWN**  
**Date:- 10-09-2024**  
**Project No:- 2024-126**  
**Sheet Size:- A3**  
**Drawing No:-**



IBA KARACHI - INSTITUTE OF BUSINESS ADMINISTRATION

ISSUE:  
ISSUE FOR CONSTRUCTION

Drawing Title  
3D VIEW - 01  
7TH FLOOR

Drafted By:- SH  
Scale:- AS SHOWN  
Date:- 10-09-2024  
Project No:- 2024-126  
Sheet Size:- A3  
Drawing No:-

AR-107



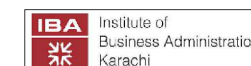
IBA KARACHI - INSTITUTE OF BUSINESS ADMINISTRATION

ISSUE:  
ISSUE FOR CONSTRUCTION

Drawing Title  
3D VIEW - 03  
7TH FLOOR

Drafted By:- SH  
Scale:- AS SHOWN  
Date:- 10-09-2024  
Project No:- 2024-126  
Sheet Size:- A3  
Drawing No:-

AR-109



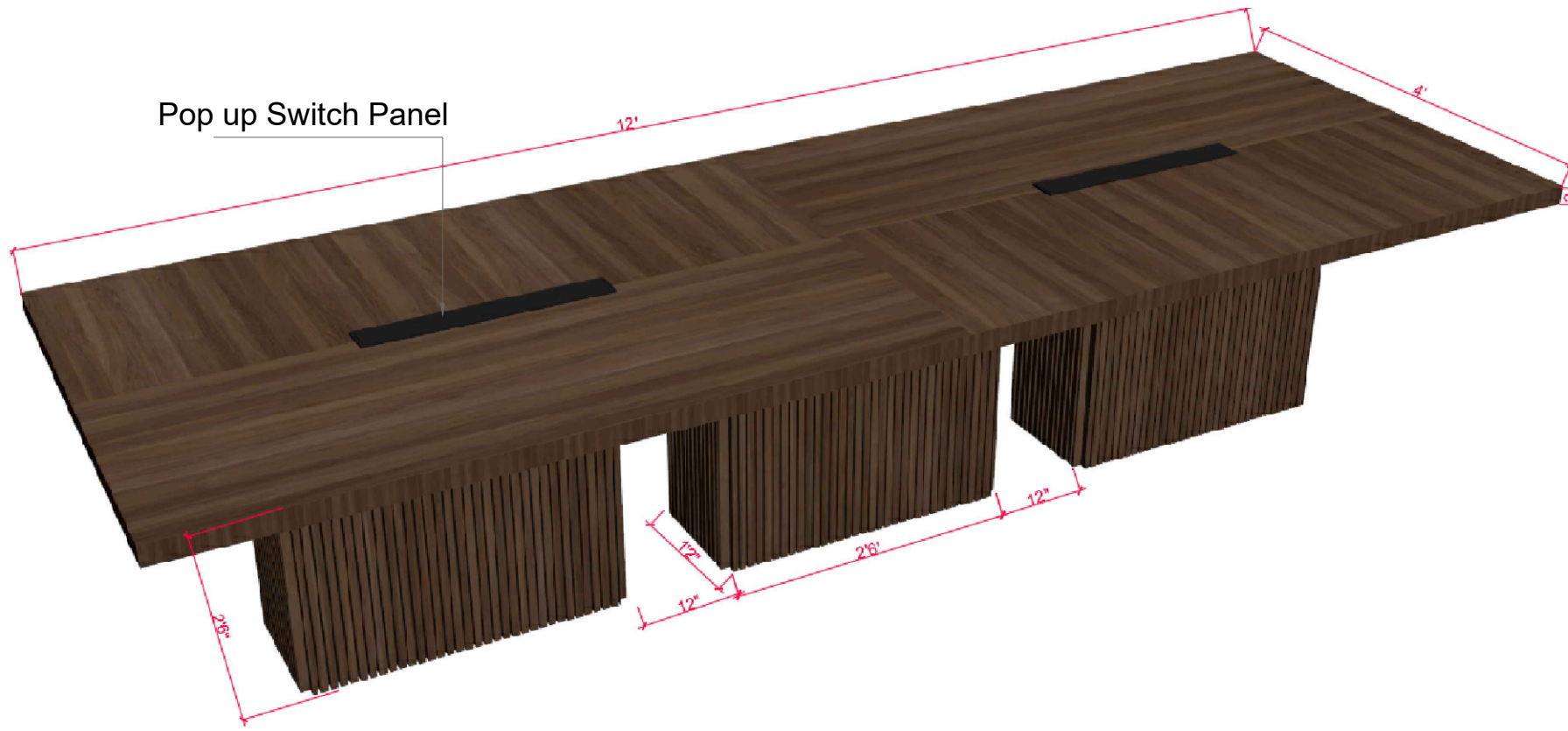
IBA KARACHI - INSTITUTE OF BUSINESS ADMINISTRATION

ISSUE:  
ISSUE FOR CONSTRUCTION

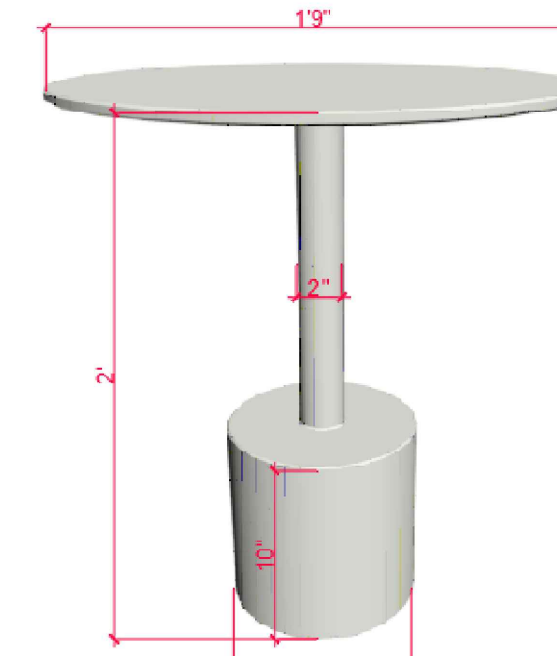
Drawing Title  
3D VIEW - 04  
7TH FLOOR

Drafted By:- SH  
Scale:- AS SHOWN  
Date:- 10-09-2024  
Project No:- 2024-126  
Sheet Size:- A3  
Drawing No:-

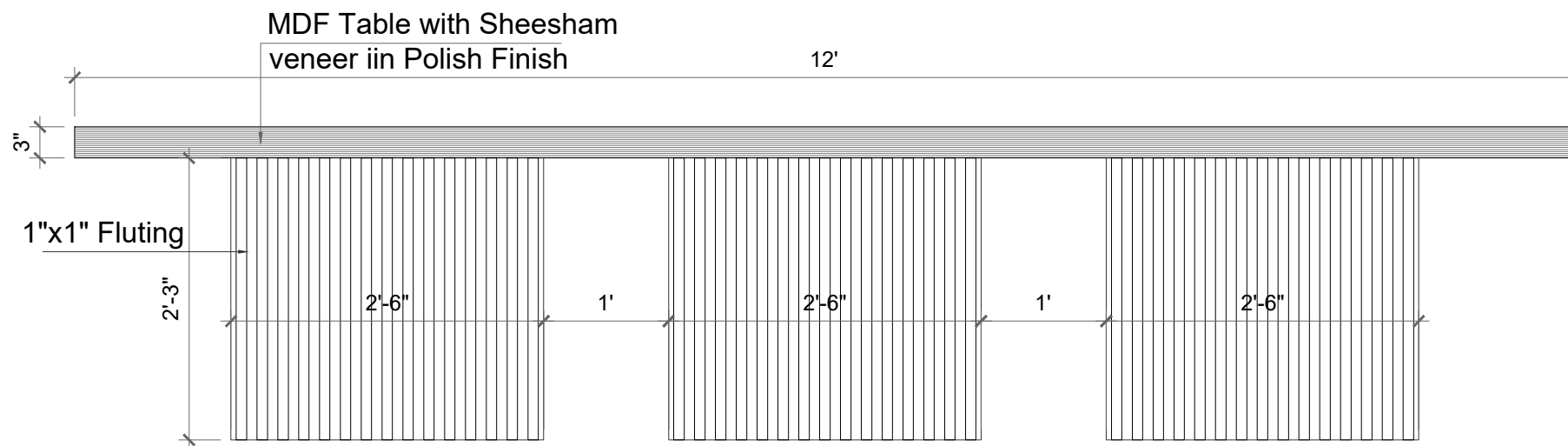
AR-110



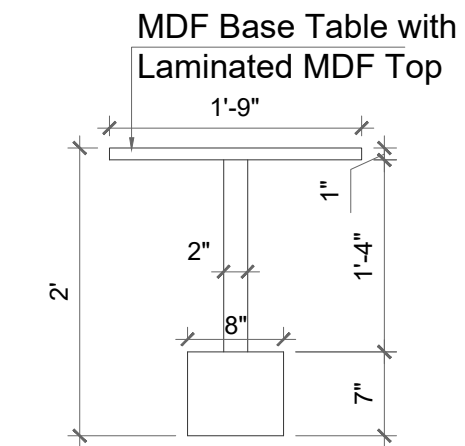
2 Board Room Table (3D View)



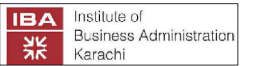
4 Table (3D View)



1 Board Room Table (Elevation)  
Scale: 3/4"=1'-0"



3 Table Plan  
Scale: 3/4"=1'-0"



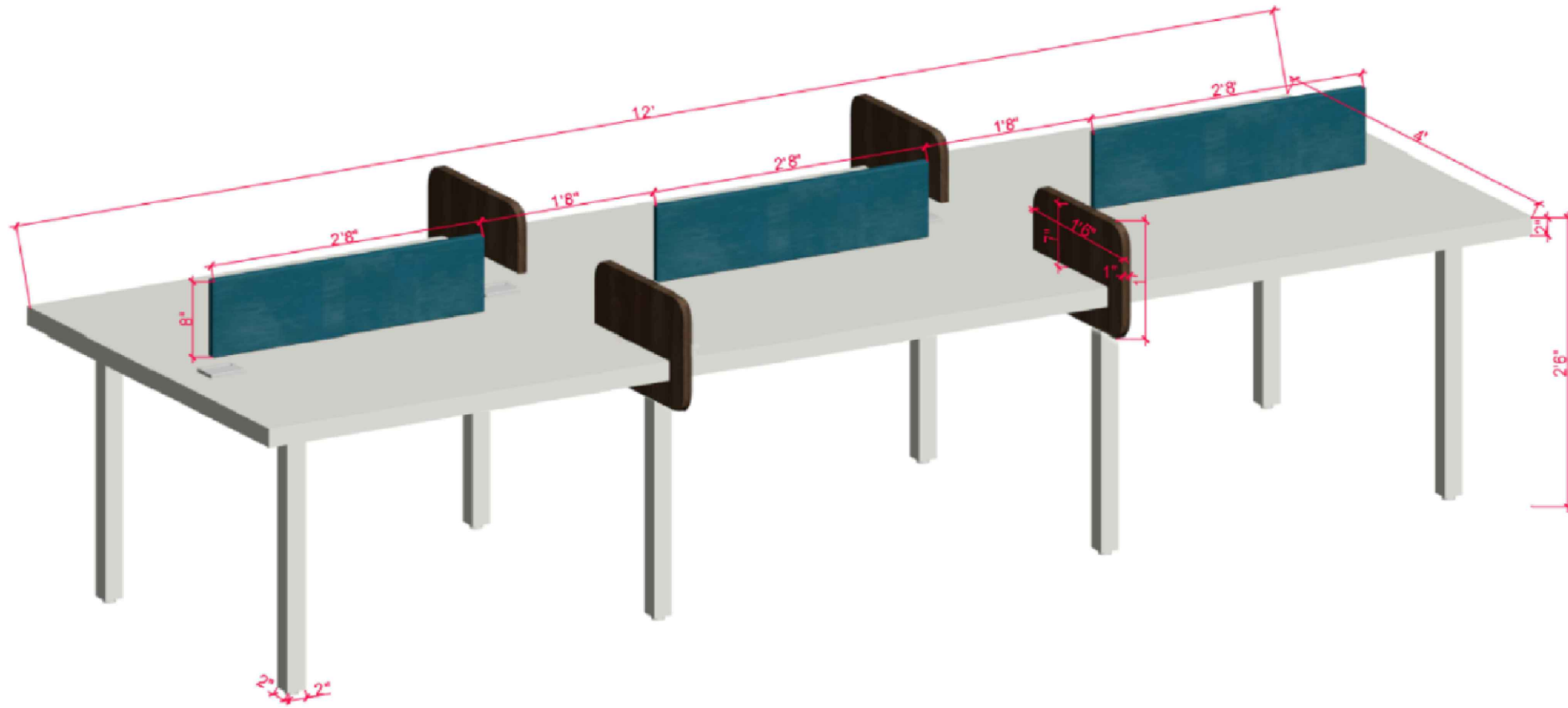
IBA KARACHI - INSTITUTE OF BUSINESS ADMINISTRATION

ISSUE:  
ISSUE FOR CONSTRUCTION

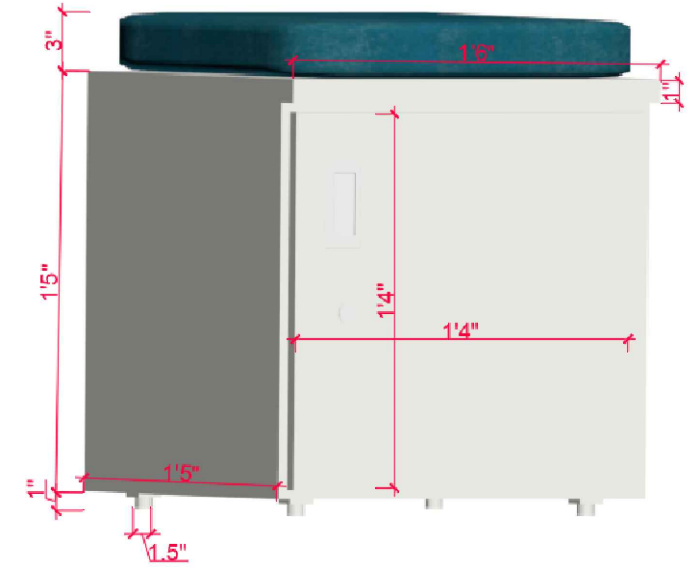
Drawing Title  
BOARD ROOM TABLE  
DETAIL  
7th FLOOR

Drafted By:- SH  
Scale:- AS SHOWN  
Date:- 11-07-2024  
Project No:- 2024-126  
Sheet Size:- A3  
Drawing No:-

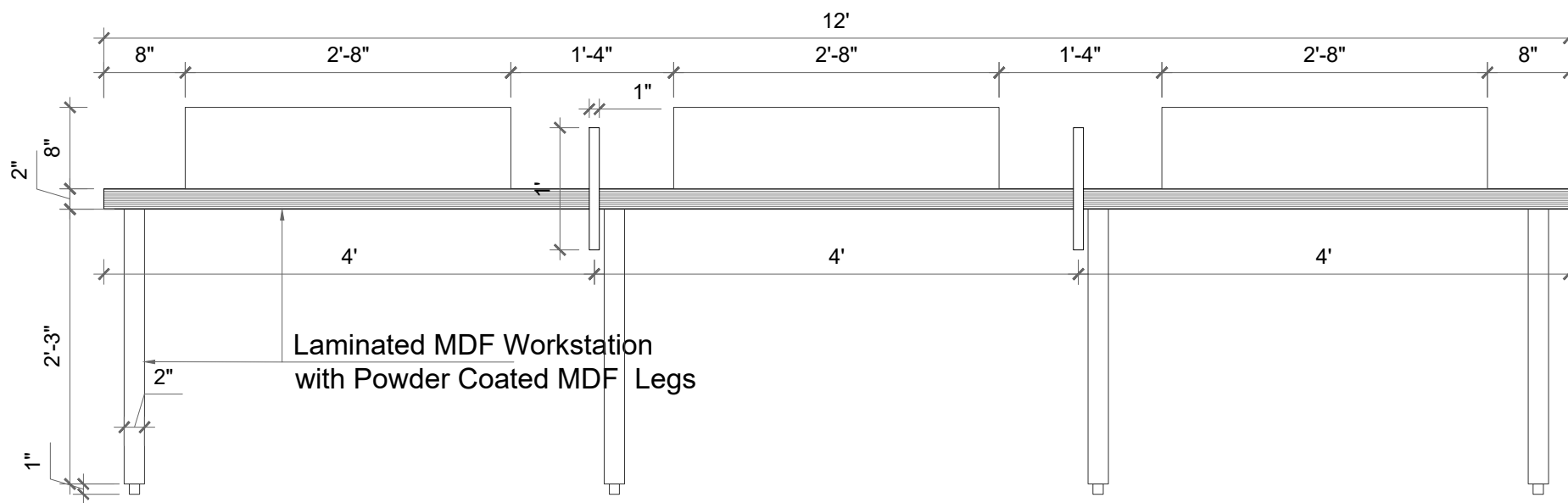
AR-111



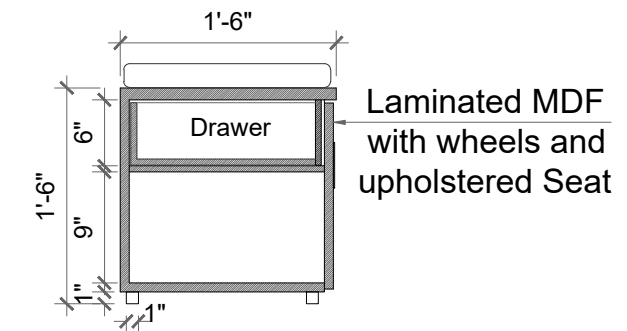
2 Workstation Table (3D View)



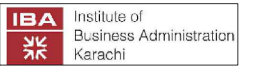
4 Table (3D View)



1 Workstation Table (Elevation)  
Scale: 3/4"=1'-0"



3 Drawer Table (Section)  
Scale: 3/4"=1'-0"



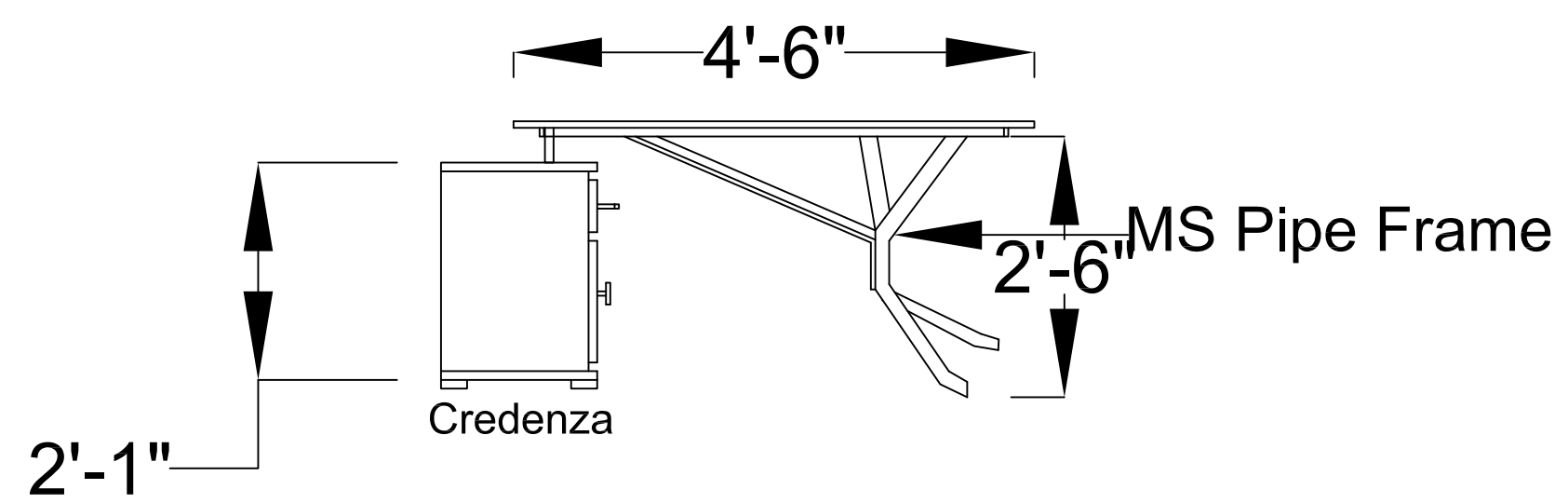
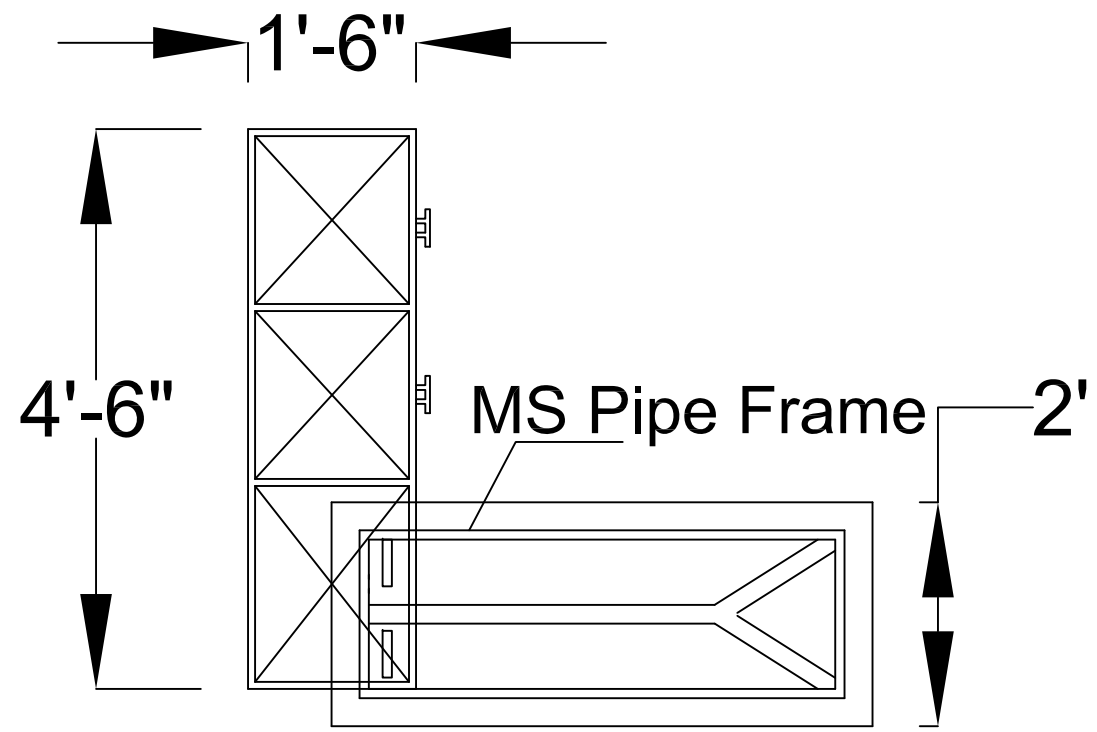
IBA KARACHI - INSTITUTE OF BUSINESS ADMINISTRATION

ISSUE:  
ISSUE FOR CONSTRUCTION

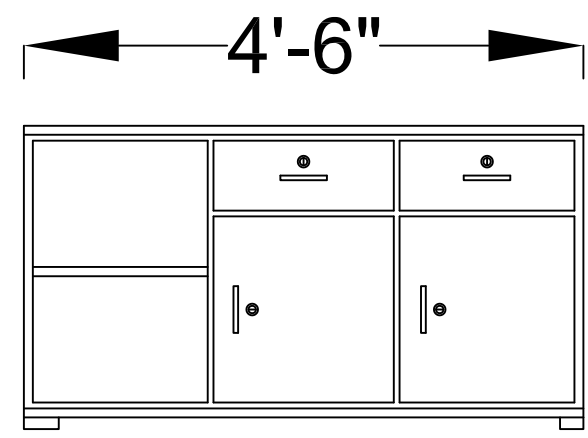
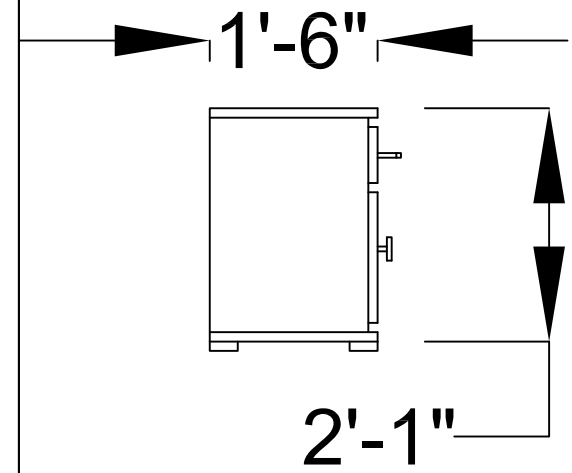
Drawing Title  
WORKSTATION TABLE & DRAWER  
7th FLOOR

Drafted By:- SH  
Scale:- AS SHOWN  
Date:- 13-09-2024  
Project No:- 2024-126  
Sheet Size:- A3  
Drawing No:-

AR-112



**OFFICE TABLE**  
(For Sr. Managers)



**Credenza**