

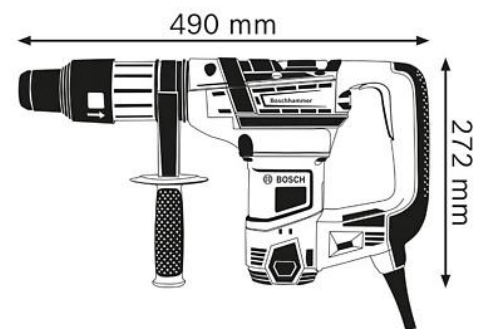
Material number	0 611 269 000
EAN	3165140720915
Auxiliary handle	✓
Carrying case	✓
Cleaning cloth	✓
Grease tube	✓
Strap	✓



Technical data

Technical data

Rated input power	1.100 W
Impact energy (according to EPTA 05/2016)	8.5 J
Impact rate at rated speed	1,500 – 2,900 bpm
Rated speed	170 – 340 rpm
Weight	6,8 kg
Tool holder	SDS max



Drilling range

Hammer drilling diameter range in concrete	12 – 40 mm
Recommended drilling diameter range in concrete	18 – 32 mm
Drilling dia. concrete, breakthrough drill bits	45 – 55 mm
Drilling diameter in concrete with core cutters	40 – 90 mm

Noise/vibration information

Noise level	The A-rated noise level of the power tool is typically as follows: Sound pressure level 93.5 dB(A); Sound power level 104.5 dB(A). Uncertainty K= 3 dB.
-------------	---

Sales information

Positioning

- The powerful hammer with fastest drilling progress in its class

User benefit

- Fastest drilling progress – 30% faster than its predecessor
- High material removal rate – 50% more impact energy than existing GBH 5-38 D
- Perfect handling – well balanced tool for all applications