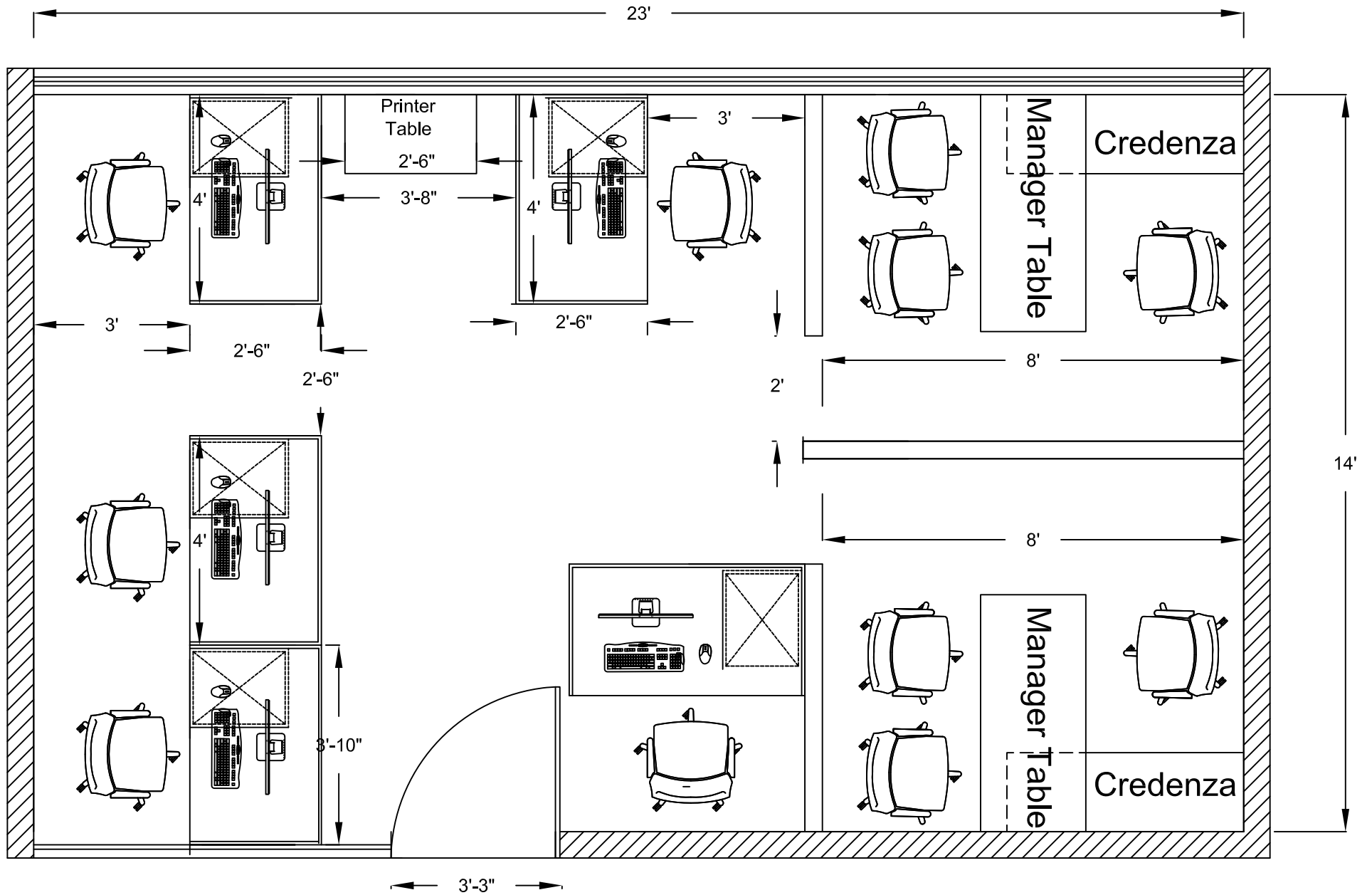
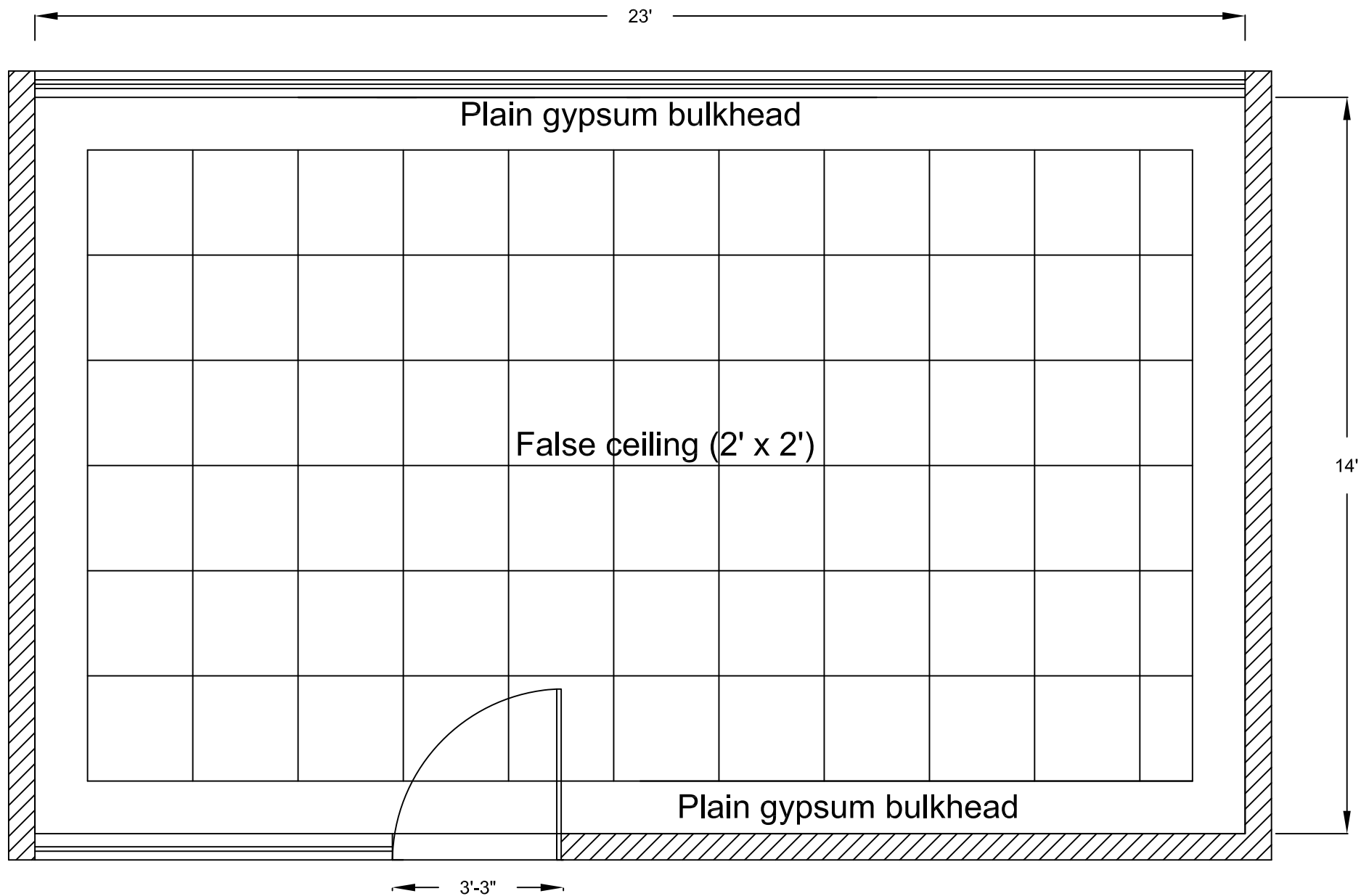


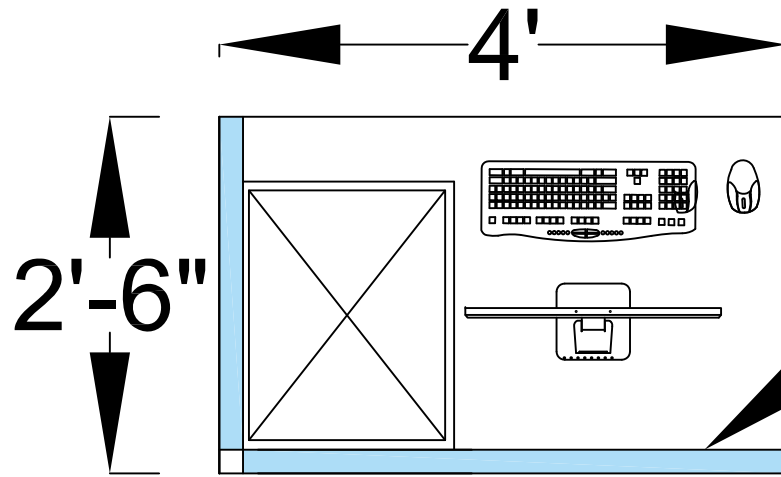
# HR OFFICE (ROOM-1)



# HR OFFICE (ROOM-2)



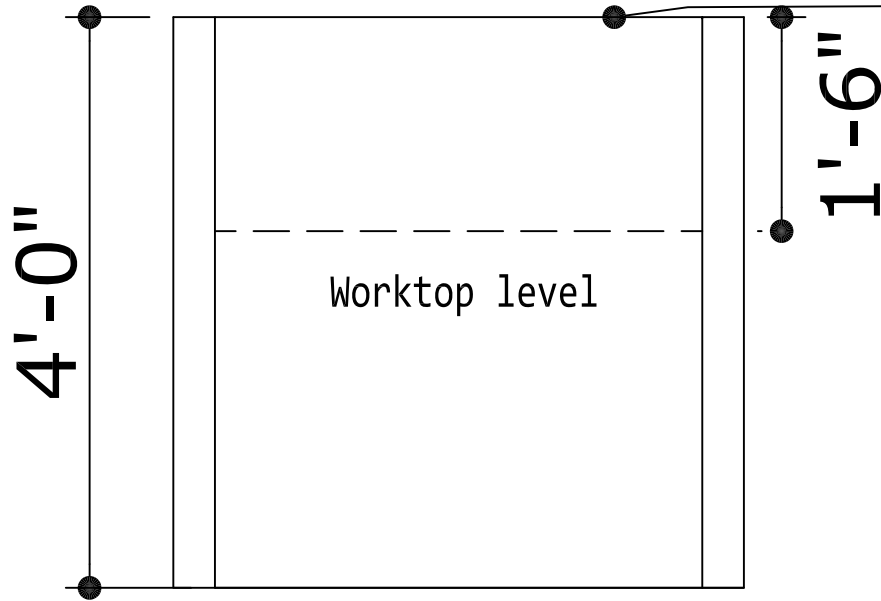
# False ceiling Layout



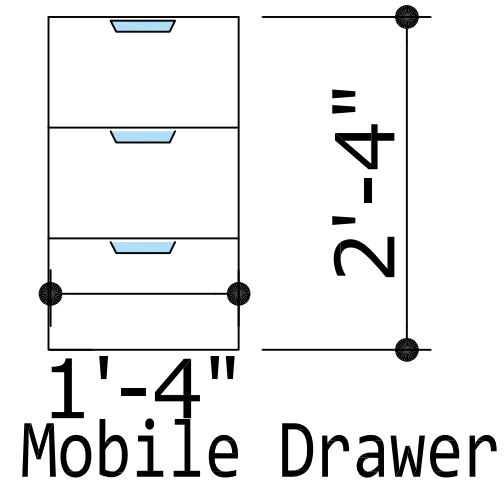
Side panel 1'-6" height  
(on 2 sides) with fabric  
inside for tack board

Workstation

Workstation height  
(4'-0")



Front Elevation



1'-4"  
Mobile Drawer