



IBA KARACHI - INSTITUTE OF BUSINESS ADMINISTRATION

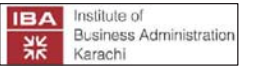
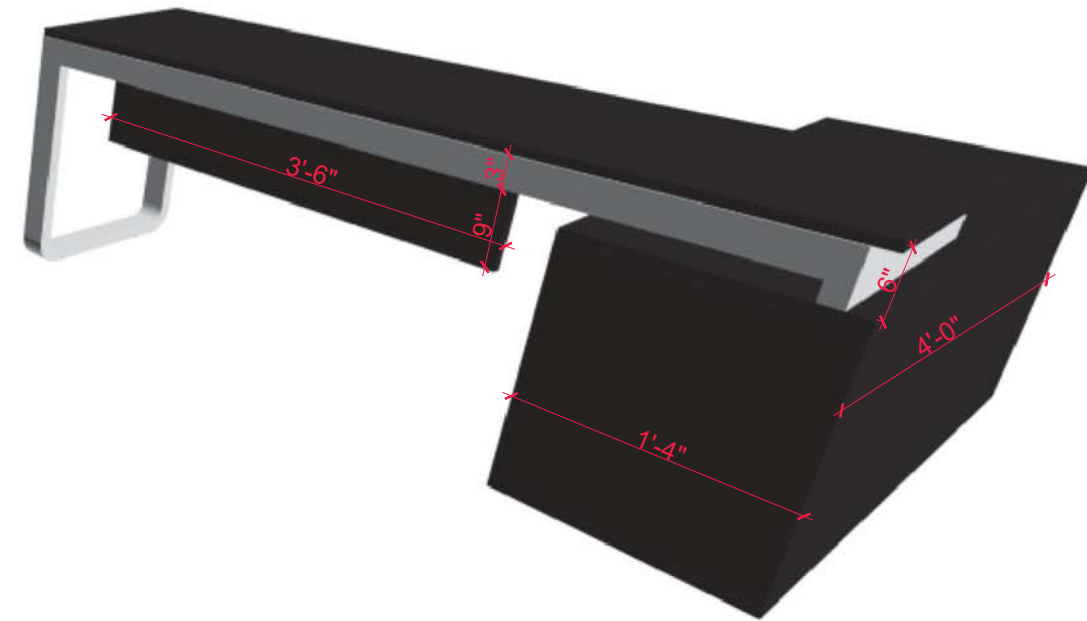
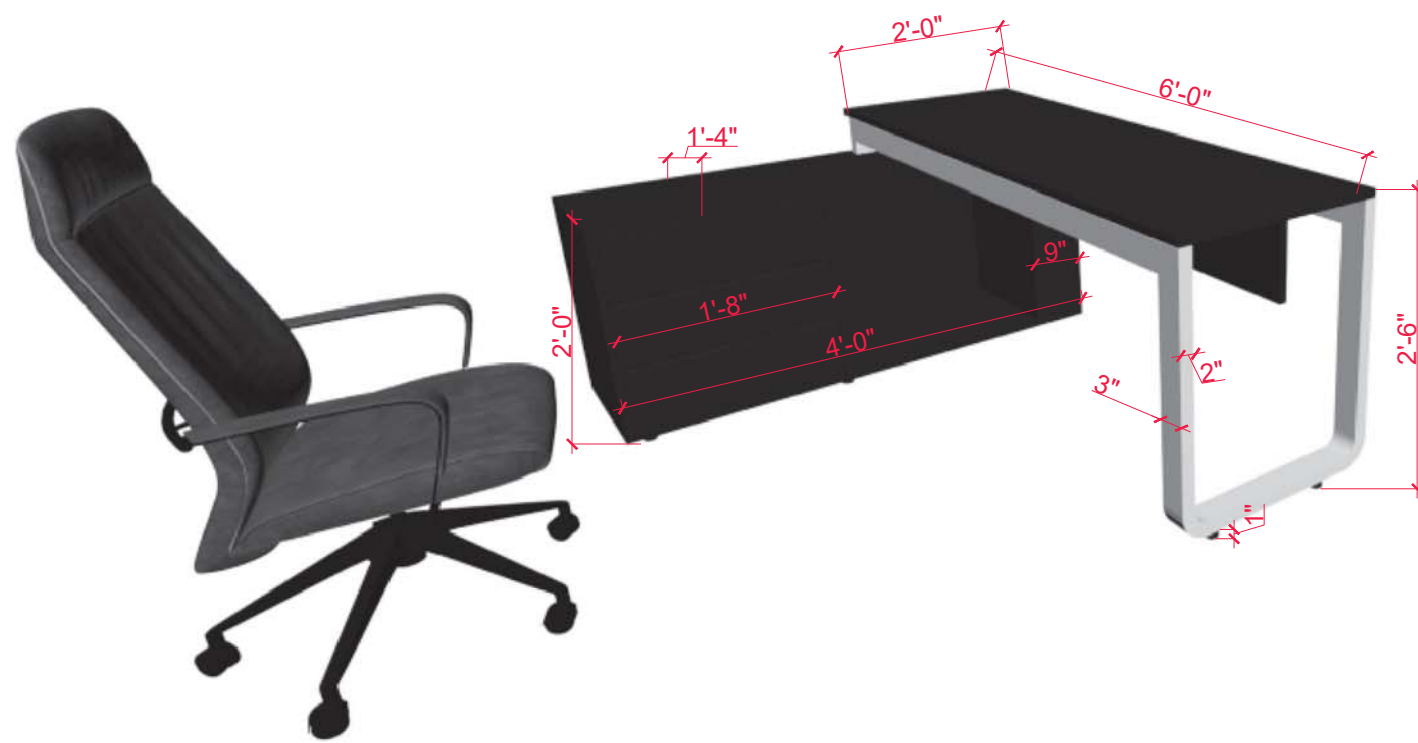
ISSUE:
CONCEPTUAL PROPOSAL

Drawing Title
ACCOUNTING LAB
3D VIEW - 02

Drawn By:- SH
Checked By:- RAASMIA
Scale:- AS SHOWN
Date:-
Project No:- 2024-1126
Sheet Size:- A3
Drawing No:-

AR-109

1 3D VIEW - 02



IBA KARACHI - INSTITUTE OF BUSINESS ADMINISTRATION

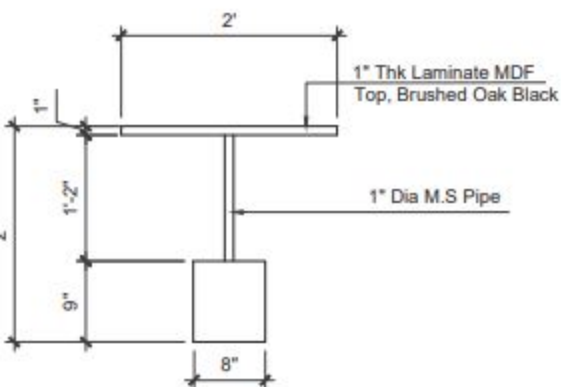
ISSUE:
CONCEPTUAL PROPOSAL

Drawing Title
ISOLATED DIMENSIONS

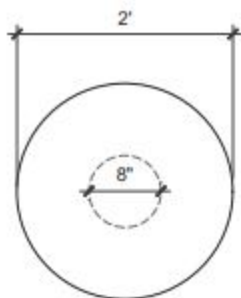
Drawn By:- SH
Checked By:- RAASMIA
Scale:- AS SHOWN
Date:- 08-08-2024
Project No:- 2024-1126
Sheet Size:- A3
Drawing No:-
AR-304



3D VIEW



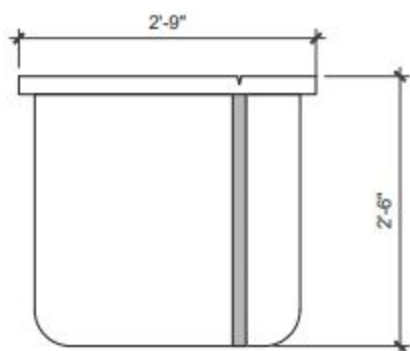
Furniture Detail - 02 (Elevation)



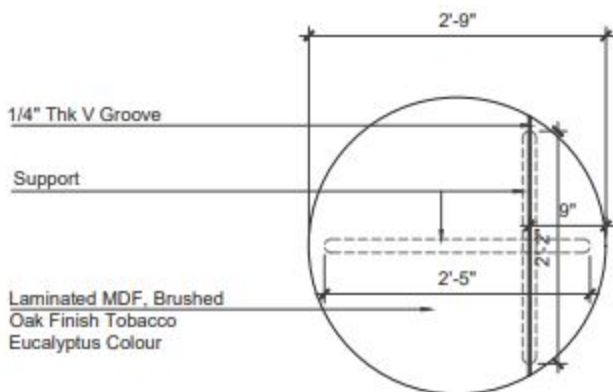
Furniture Detail - 02 (Plan)



3D VIEW



Furniture Detail - 01 (Elevation)



Furniture Detail - 01 (Plan)



